

TECHNICAL SPECIFICATION

LED Floodlight – Wall Washer

STREAM



Technical data

- Power: 9W/18W/36W
- Rated voltage: 85V – 265V
- Power supply: low-voltage, direct-current device – driver
- LED type: High power
- Light source: Epistar Taiwan
- Protection against dust and moisture: IP65
- Housing: aluminum body
- Colour of the housing: grey
- Ambient temperature: -40°C ÷ +65°C
- Long life: 30000 hours
- Colour rendering index: Ra>70

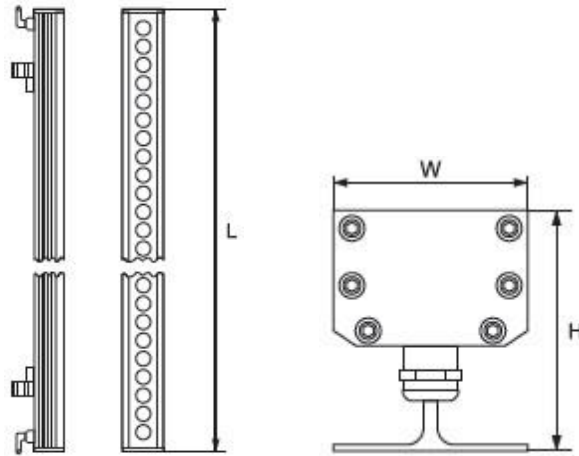
Areas of application

- Sports halls
- Commercial areas
- Warehouses
- Production facilities
- Squares, fleets
- Parking lots

Product benefits

- Efficient replacement of traditional halogen and metal-halide floodlights
- Wide distribution of even and stable light
- Economic - low power consumption
- Repeated switch on/off does not effect the fixture lifespan
- Instant light at maximum luminous flux
- Environmentally friendly - no mercury and lead
- No ultraviolet and infrared rays
- Resistant to shock and vibration stable body
- Voltage supply fluctuations do not affect the normal operation of the floodlights

Variants and dimensions



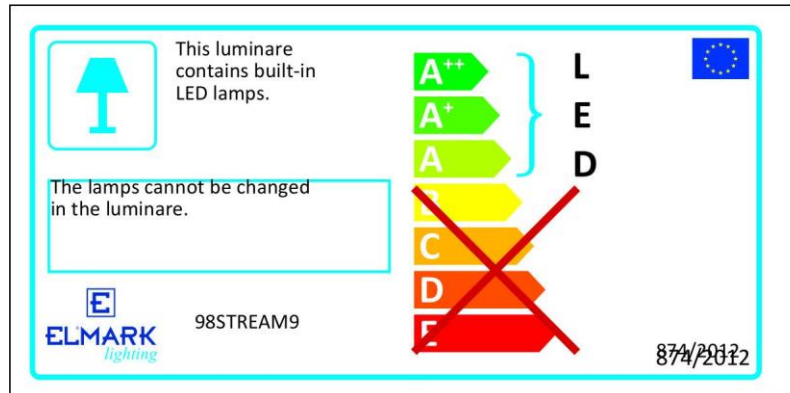
- STREAM

Model	Watt	LED chip lumens (lm)	Whole fixture lumens (lm)	Colour temp. (k)	Colour body	Size			Catalogue number	Packing (pcs)
						L	W	H		
STREAM9	9W	1080	720	5500	grey	300	50	56	98STREAM9	30
STREAM18	18W	2160	1440	5500	grey	600	50	56	98STREAM18	30
STREAM36	36W	4320	2880	5500	grey	1000	50	56	98STREAM36	12

- STREAM RGB

Model	Watt	Colour temp. (k)	Colour body	Size			Catalogue number	Packing (pcs)
				L	W	H		
STREAM9	9W	RGB	grey	300	50	56	98STREAM9RGB	30
STREAM18	18W	RGB	grey	600	50	56	98STREAM18RGB	30
STREAM36	36W	RGB	grey	1000	50	56	98STREAM36RGB	12

Energy efficiency



Barcodes

Barcodes	Catalogue number
3800131187307	98STREAM9
3800131187314	98STREAM9RGB
3800131187321	98STREAM18
3800131187338	98STREAM18RGB
3800131187345	98STREAM36
3800131187352	98STREAM36RGB

Standards

EN 55015

EN 61000-3-2

EN 61000-3-3

EN 61547

EN 60598-1

EN 60598-2-5

